

fences and more...

## Safety Truss Bracing System

(patent #6279879)



**Protect your valuable animals from injury. Make your corners as safe as the rest of your fence.**

Diagonal corner braces and truss wires in traditional fence corners result in dangerous "pinch points" that can easily trap and injure horses and exotic animals. If you're trying to protect your valuable animals from harm, don't let your fence system work against you.

Our new Safety Truss Bracing System completely eliminates entrapment hazards by doing away with diagonals. Sturdy steel trusses and brace posts give you a stronger, more stable corner that's longer-lasting, cleaner-looking and designed with your animals' safety in mind.

### Why our Safety Truss System is better:

- ◆ No dangerous diagonal braces or truss wires to create "pinch points"
- ◆ Protects animals from injury
- ◆ Prevents post racking
- ◆ Sturdy and long-lasting
- ◆ Adaptable to non-level terrain
- ◆ Clean, professional appearance

**See page 2 for more specifications on Safety Truss Bracing...**



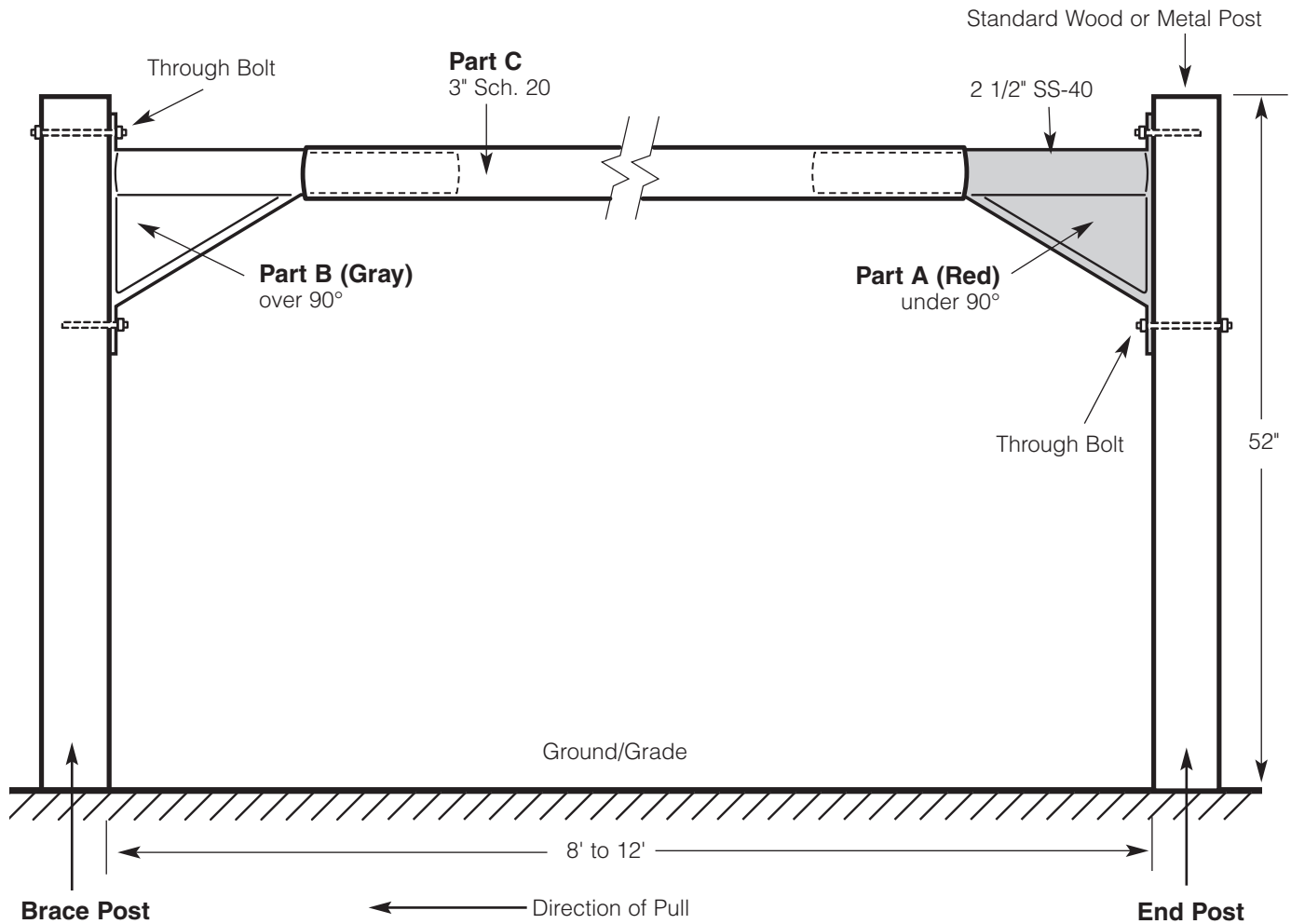
*The University of Minnesota's Equine Center uses flat ribbon fencing and 5" wood posts to provide a safe and sturdy enclosure.*



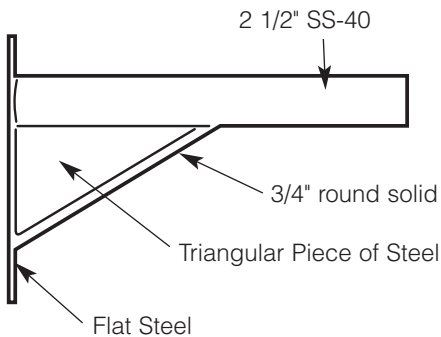
*5" steel corner posts and high tensile provide strength and durability for long stretches of fence.*



*Qual Line's Safety Truss system is perfect for stretched horse rail for pastures or training areas.*



**Part A and Part B**  
(similar except angle and color)



## Safety Truss Component Prices

**Part A (Red) w/ 1/2" x10" bolt** \$

**Part B (Gray) w/bolt** \$

**Part C (Brace) (8' long)** \$

Prices are per dozen pieces or more. 8' brace (Part C shown above) assumes posts are set 10'4" c/c. We prefer to set the posts at approximately 10' c/c and then field trim Part C. Other brace lengths available. Our Safety Truss Bracing System is designed for hi-tensile wire or ribbon fences up to 3,000# tension. Heavier components available for up to 8,000#.